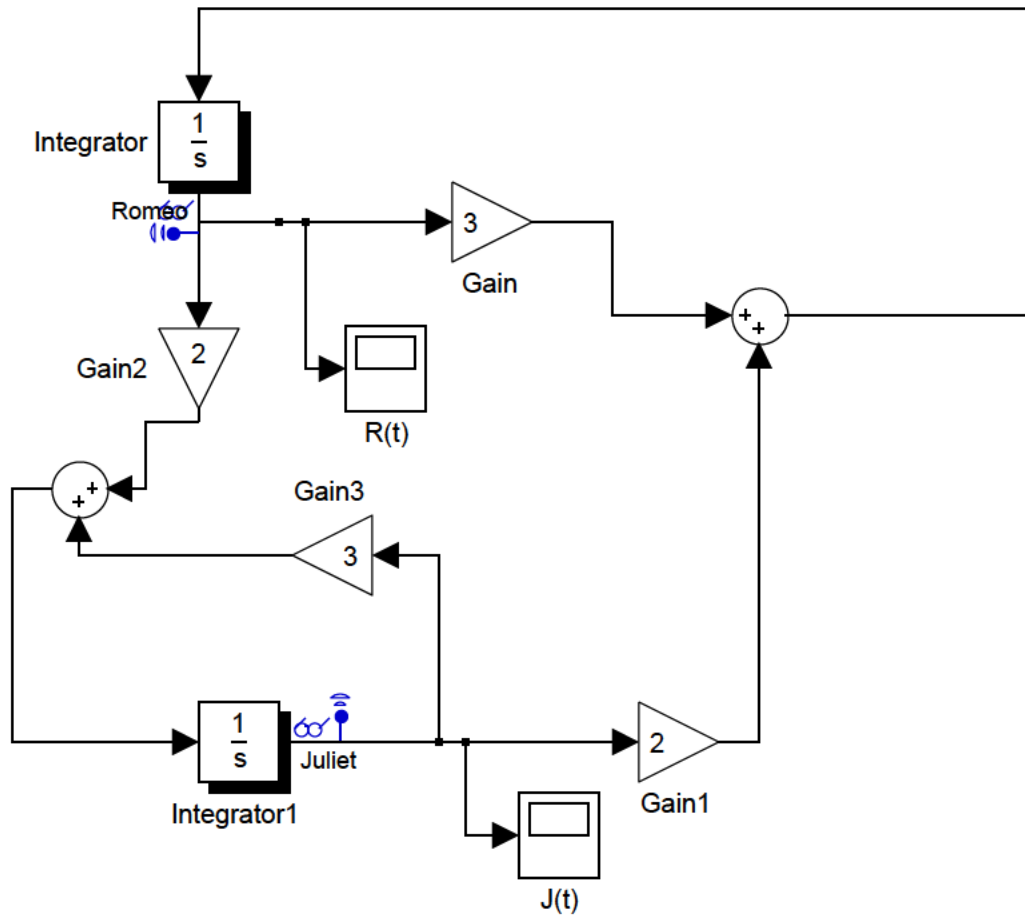


Peas in a Pod



$$dj/dt = bR + aJ$$

$$dr/dt = aR + bJ$$