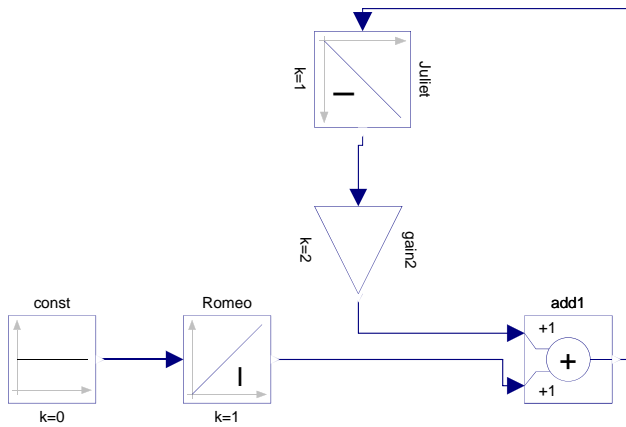


Romeo the robot



$$dr/dt = 0$$

$$dj/dt = aR + bJ$$